

THIS DRAWING IS UNPUBLISHED. RELEASED FOR PUBLICATION  
 QUE ESTE DISEÑO NO SE PUEDE REPRODUCIR SIN LA AUTORIZACION DE SCHLEGEL S.p.A.  
 ALL RIGHTS RESERVED. TODOS LOS DERECHOS RESERVADOS.  
 COPIES OF THIS DRAWING ARE PROHIBED FOR PATENTS ACTUALS O PENDIENTES

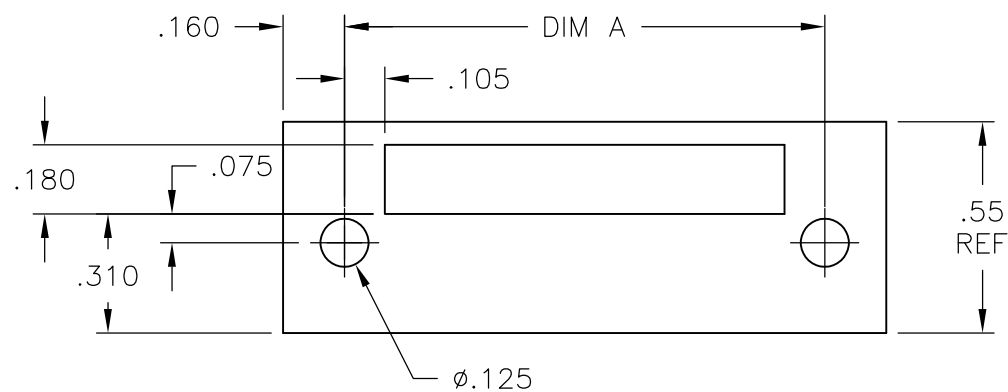
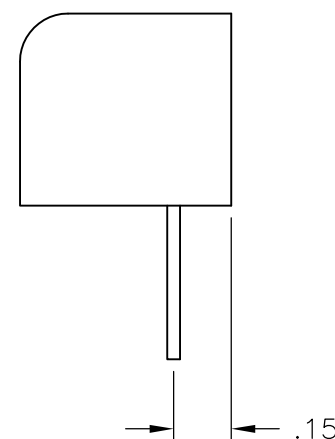
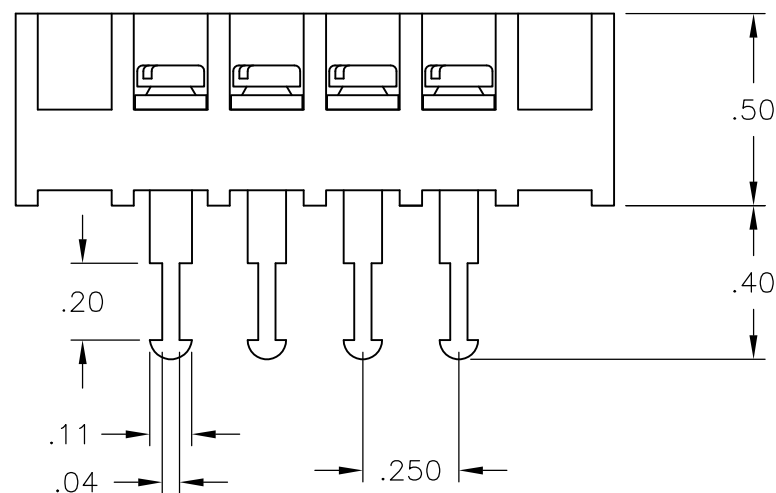
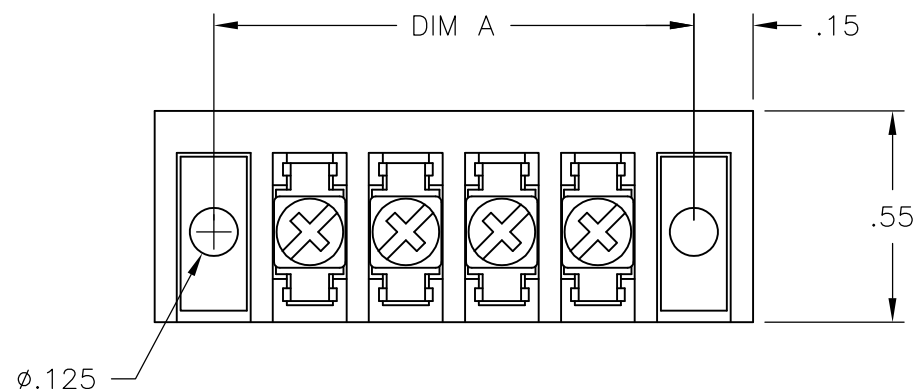
LOC FT	DIST 0	REVISIONS		
P	LTR REV	DESCRIPTION	DATE	DWN APVD
	B	REVISED PER ECO-11-023401	01DEC11	KH MS

NOTES:

MATERIAL:  
 HOUSING: THERMOPLASTIC, UL94V-0, BLACK.  
 TERMINAL: BRIGHT TIN PLATED, COPPER ALLOY.  
 M3 SCREWS: ZINC PLATED STEEL.

ELECTRICAL:  
 RATED CURRENT: 10A.  
 OPERATING VOLTAGE: 300V.  
 WIRE RANGE: 16-30 AWG.

MECHANICAL:  
 PITCH (TERMINAL SPACING): .250"  
 OPERATING TEMP.: 120°C MAX.



RECOMMENDED PANEL LAYOUT

7.25	28	3STV-28-006	2-1546687-8
7.00	27	3STV-27-006	2-1546687-7
6.75	26	3STV-26-006	2-1546687-6
6.50	25	3STV-25-006	2-1546687-5
6.25	24	3STV-24-006	2-1546687-4
6.00	23	3STV-23-006	2-1546687-3
5.75	22	3STV-22-006	2-1546687-2
5.50	21	3STV-21-006	2-1546687-1
5.25	20	3STV-20-006	6-1546119-3
5.00	19	3STV-19-006	1-1546687-9
4.75	18	3STV-18-006	1-1546687-8
4.50	17	3STV-17-006	1-1546687-7
4.25	16	3STV-16-006	1-1546687-6
4.00	15	3STV-15-006	1-1546687-5
3.75	14	3STV-14-006	1-1546687-4
3.50	13	3STV-13-006	1-1546687-3
3.25	12	3STV-12-006	6-1546119-2
3.00	11	3STV-11-006	1-1546687-1
2.75	10	3STV-10-006	6-1546119-1
2.50	9	3STV-09-006	6-1546119-0
2.25	8	3STV-08-006	5-1546119-9
2.00	7	3STV-07-006	5-1546119-8
1.75	6	3STV-06-006	5-1546119-7
1.50	5	3STV-05-006	5-1546119-6
1.25	4	3STV-04-006	5-1546119-4
1.00	3	3STV-03-006	5-1546119-3
.75	2	3STV-02-006	5-1546119-2

DIM "A"	NO. OF POS.	CATALOG NUMBER	PART NO.
---------	-------------	----------------	----------

THIS DRAWING IS A CONTROLLED DOCUMENT.		DWN/DESIGNER S SCHLEGEL	4/22/03	TE Connectivity	
TOLERANCES UNLESS OTHERWISE SPECIFIED: 0 PLC/DWG: ± - 1 PLC/DWG: ± - 2 PLC/DWG: ± .02 3 PLC/DWG: ± .010 4 PLC/DWG: ± - ANGLES/ANGLES ± -		CHK/CONTROLLED S YODER	4/22/03	NAME S YODER	
DIMENSIONS: MILLIMETERS AND INCHES		APVD/APPROVE S YODER	4/22/03	PRODUCT SPEC 3STV-XX-006	
MATERIAL MATERIE		APPLICATION SPEC		SIZE A3	
FINISH/OBERFLAECHE/FARBE		WEIGHT PESO APPROX.		CAGE CODE 00779	
ACABAMENTO		SCALE		DRAWING NO G-5-1546119-2	
CUSTOMER DRAWING		SHEET		RESTRICTED TO	
REANNUNZIO		1 OF 1		REV B	